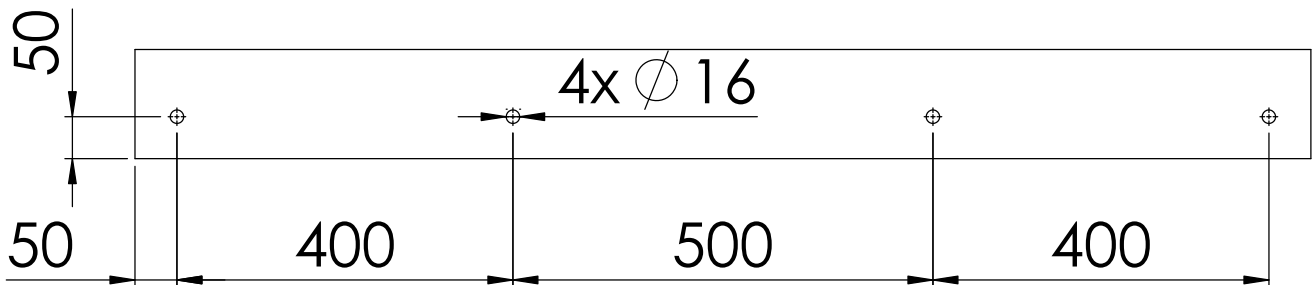
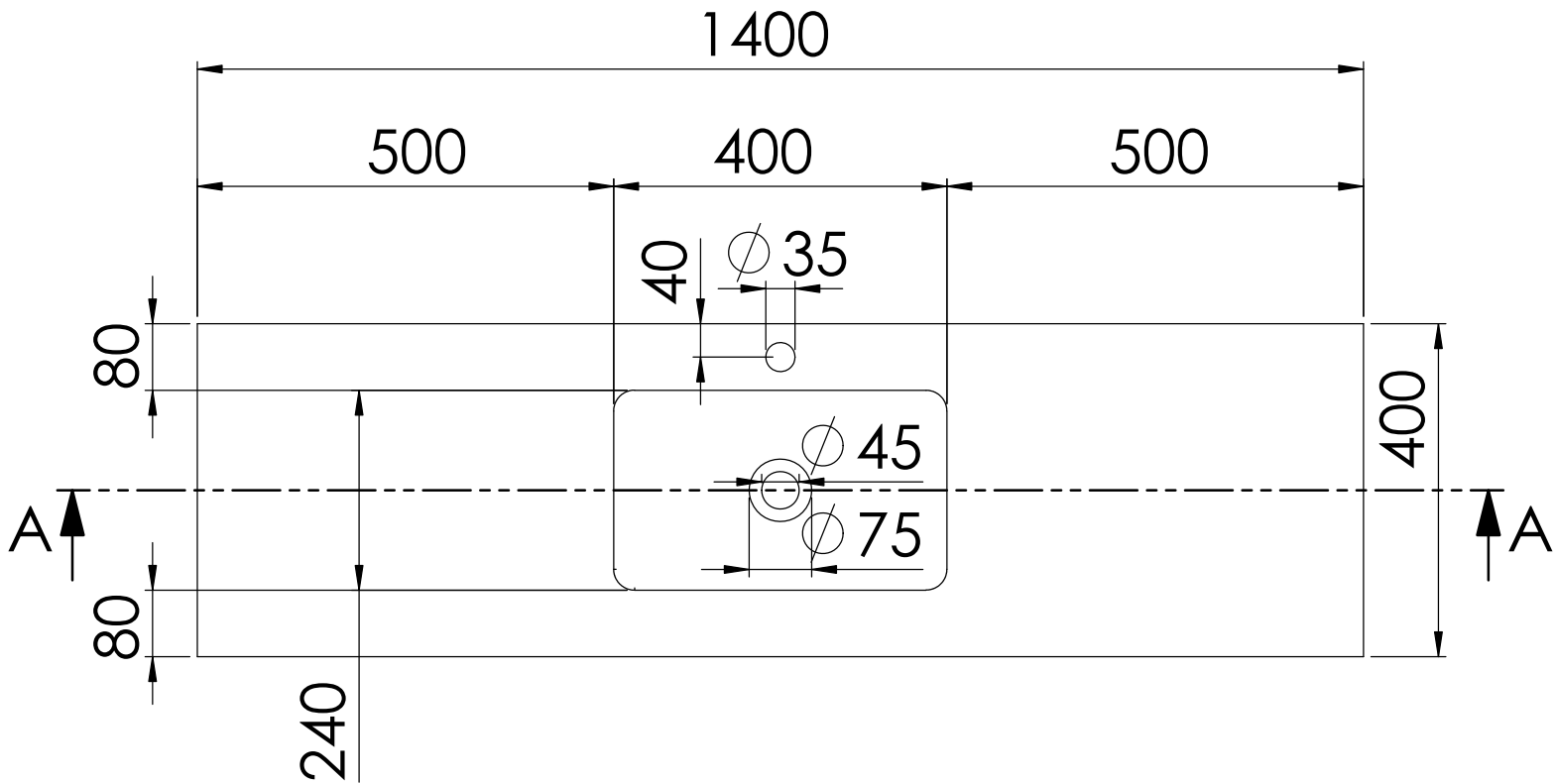
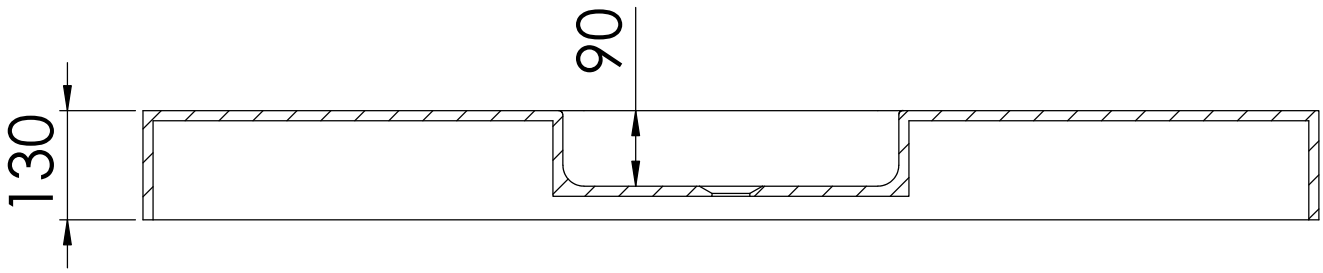


# SCHNITT A-A



Toleranz / tolerance:  
30~120mm = +/- 4mm  
120~300mm = +/- 8mm

STEINBERG

